

Technical data sheet

Product features



Tilting brat pan gas

| | | |
|--------------|-----------------|----------|
| Model | SAP Code | 00019404 |
|--------------|-----------------|----------|



- Bottom material: Stainless steel - suitable for cooking, easy maintenance
- Bottom thickness: 12.00
- Basin volume [l]: 50
- Usable volume [l]: 50
- Ignition: Piezo + Eternal Flame
- Tilting: Manual
- Filling: Mechanical cock
- Type of pan: Tilting
- Basin shape: Practically shaped bathtub spout to minimize spillage

| | | | |
|------------------------|----------|--------------------------|--|
| SAP Code | 00019404 | Type of gas | Natural gas, propane butane |
| Net Width [mm] | 800 | Bottom material | Stainless steel - suitable for cooking, easy maintenance |
| Net Depth [mm] | 730 | Basin volume [l] | 50 |
| Net Height [mm] | 900 | Usable volume [l] | 50 |
| Net Weight [kg] | 147.00 | Tilting | Manual |
| Power gas [kW] | 12.000 | | |

Technical data sheet

Technical drawing

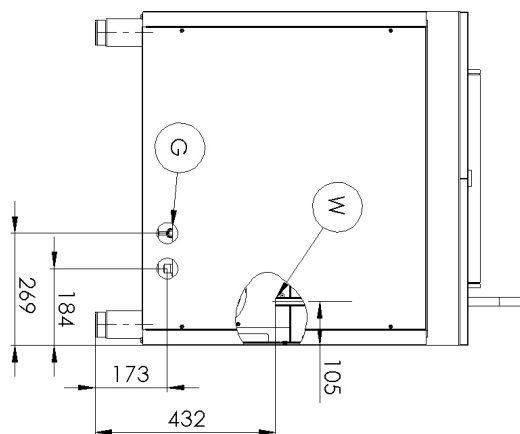
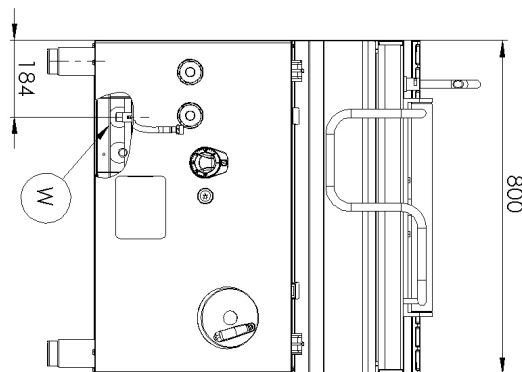
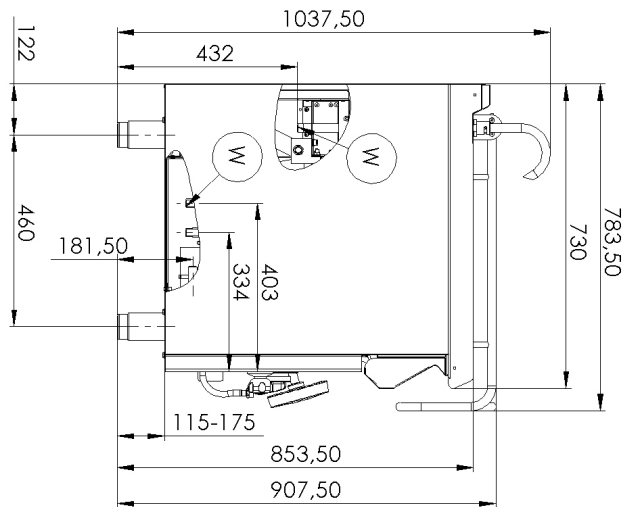


Tilting brat pan gas

Model

SAP Code

00019404



Technical data sheet

Technical parameters



Tilting brat pan gas

Model

SAP Code

00019404

1. SAP Code:

00019404

2. Net Width [mm]:

800

3. Net Depth [mm]:

730

4. Net Height [mm]:

900

5. Net Weight [kg]:

147.00

6. Gross Width [mm]:

840

7. Gross depth [mm]:

800

8. Gross Height [mm]:

1065

9. Gross Weight [kg]:

160.00

10. Device type:

Gas unit

11. Construction type of device:

Stationary

12. Power gas [kW]:

12.000

13. Ignition:

Piezo + Eternal Flame

14. Type of gas:

Natural gas, propane butane

15. Exterior color of the device:

Stainless steel

16. Material:

AISI 304 top plate and cladding

17. Worktop type:

Molded - comfortable cleaning maintenance

18. Worktop material:

AISI 304

19. Worktop Thickness [mm]:

1.50

20. Basin volume [l]:

50

21. Volume capacity of the container [l]:

50.00

22. Maximum device temperature [°C]:

300

23. Minimum device temperature [°C]:

50

24. Safety thermocouple:

Yes

25. Adjustable feet:

Yes

26. Tilting:

Manual

27. Bottom thickness:

12.00

28. Bottom material:

Stainless steel - suitable for cooking, easy maintenance

Technical data sheet

Technical parameters



Tilting brat pan gas

Model

SAP Code

00019404

29. Type of pan:

Tilting

32. Basin shape:

Practically shaped bathtub spout to minimize spillage

30. Usable volume [l]:

50

33. Overflow:

Yes

31. Filling:

Mechanical cock